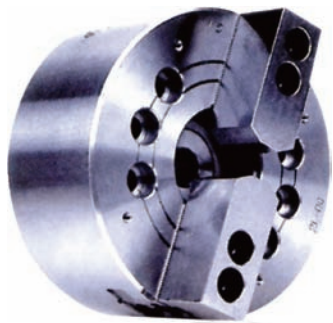


# BLT SERIES

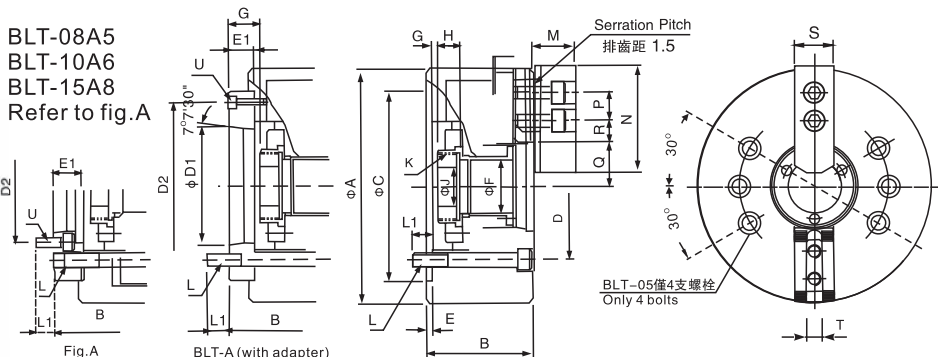
## 超長爪行程動力夾頭



## 2-JAW EXTRA LONG JAW STROKE THOUGH HOLEPOWER CHUCK

- ◎ 曲柄型二爪超大貫通孔徑，超長爪行程。
- ◎ 摺動面均經硬化及精密研磨，并直接潤滑。
- ◎ 高剛性結構及高夾持精度。
- ◎ 安裝連結方式與中空夾頭一樣，且可與之相容互換，不必更改拉杆。
- ◎ It's a CRANK type 2-jaw with the large through-hole, and extra long jaw stroke.
- ◎ Matching surfaces of all parts hardened, ground and lubricated directly.
- ◎ Construction of high rigidity and high clamping accuracy.
- ◎ The installation is the same as "Through-hole power chuck" and they are replaceable with each other. No need to change the "Draw tube".

BLT-08A5  
BLT-10A6  
BLT-15A8  
Refer to fig.A



規格 Spec 型號 Model	楔心行程 Plunger stroke (mm)	爪行程(直徑) Jaw stroke (Dia.) (mm)	夾持直徑 chucking Dia.(mm)		容許油壓缸推力 Max.D.B.Pull KN(kgf)	最大夾持力 Max clamping force KN(kgf)	最高回轉速 max r.p.m	慣性矩 kg·m <sup>2</sup>	重量 (kg)		適合油壓缸 Matched cylinders	最大使用壓力 Max.pressure Mpa(kgf/cm <sup>2</sup> )
			最大Max	最小Min								
BLT-05 A4	12	18	135	6	10.4 (1060)	11.4(1165)	4200	0.018	6.9	7.7	H-1036	1.6(16)
BLT-06 A5	15	24	168	10	15.7 (1600)	17.2(1760)	3600	0.016	12.6	14.4	H-1246	1.8(18)
BLT-08 A5 A6	20	32	210	10	22.8 (2330)	27(2750)	3000	0.167	22	24.9 23.1	H-1552	1.7(17)
BLT-10 A6 A8	25	37.5	254	18	31.8 (3240)	37.2(3800)	2400	0.338	37	44 42.5	H-1875	1.8(18)
BLT-12 A6 A8	30	45	304	30	43.1 (4400)	50(5100)	2100	0.8	60	65.5 147	H-2091	1.9(19)
BLT-15 A11	35	52	381	50	56.2 (5370)	60.6(6180)	1600	2.52	133	140	H-2511	1.7(17)

寸法 Size 型號 Model	A	B		C(H6)	D	D1	D2	E	E1	F	Gmax		Gmin		H	J
BLT-05 A4	135	65	76	110	82.6	63.51	96	4	15	32	1	16	-11	4	20	12
BLT-06 A5	168	84	97	140	104.8	82.56	116		18	42	6.5	24.5	-8.5	9.5	19	20
BLT-08 A5 A6	210	96	118	170	133.4	106.38	130.4	5	27	48	7	34	-13	14	20	30
			114													
BLT-10 A6 A8	254	110	130	220	171.4	139.72	190	18	25	70	8	33	-17	8	25	45
			123													
BLT-12 A6 A8	304	127	140	220	171.4	190	190	18	25	91	15	33	-15	3	28	50
			177													
BLT-15 A11	381	150	166	300	235	196.87	260	6	33	120	12.5	45.5	-22.5	10.5	39	60

寸法 Size 型號 Model	K max	L	L1	M	N	P	Q max	Q min	R max	R min	S	T	U	
														BLT-05 A4
BLT-06 A5	M55x2	6-M10	15	15	37	73	20	25.75	16.25	39	27	31	12	3-M6
BLT-08 A5 A6	M60x2	6-M12	18	17	38	95	25	28.25	16.25	49.25	33.25	35	14	3-M6
				20										
BLT-10 A6 A8	M85x2	6-M16	22	18.5	43	110	30	35.25	17.25	64.25	45.25	40	16	6-M12
				24										
BLT-12 A6 A8	M100x2	6-M16	20	17	51	130	30	46.25	19.25	77	54.5	50	21	3-M8 6-M16
				31										
BLT-15 A11	M130x2	6-M20	33	30	63	165	43	51.25	27.25	94.25	68.25	62	25.5	3-M10

\* 保留技術更改的權利，恕不另行通知 Subject to technology changes without prior information  
\* 非標需求可訂做 Non-standard requirements can be made